

±1.0 % Accuracy – 3½"-4½"-8½" Dial Sizes  
Shock Resistant to MIL S-901  
Vibration Resistant to MIL STD-167

**STANDARD FEATURES**

- Movement:** Special Heavy Duty 300 Series Stainless Steel Bushed Rotary Movement
- Pointer:** Slotted Adjustable Type
- Dial:** Aluminum, White Background, Black Numerals and Graduations. Red Set Hand and Plastic Lens Standard
- Connection:** Available with:  
P = 9/16-18 UNF-3A union "O" ring type, with "O" ring, tailpiece and union nut.  
F = 7/16-20 UNF-2A flareless "bite" type, with ferrule and nut.  
W = 6" long, 1/4" IPS, schedule 80 Monel welding nipple.  
4 = 1/4 NPT male pipe thread.

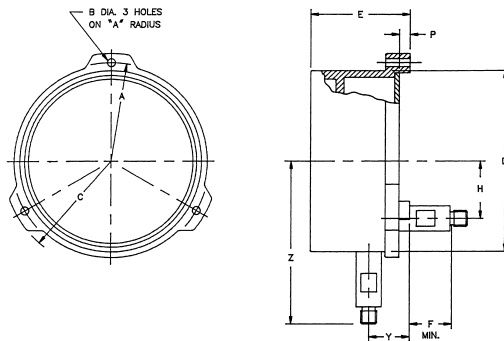
**Connection Location:**

Back, Bottom or 5 O'clock

**Case:**

Die cast aluminum, solid front safety type, grey enamel finish, snap ring. Suitable for flush panel mounting or surface mounting.

Note: Flush mounting ring kit will be furnished unless otherwise specified.



GAUGE SIZE		A	B	C	D	E	F	H	P	Y	Z
3½"	INCH	2⅞	⅜	2⅜	3⅝	2¼	1⅜	1	⅝	1⅞	3⅜
	MM	54	5	60	100	70	30	25	8	29	81
4½"	INCH	2⅞	⅜	2⅞	4⅝	2¼	1⅜	1⅞	⅝	1⅞	3⅜
	MM	68	6	75	125	70	30	40	8	29	97
8½"	INCH	4⅞	⅜	5⅞	9	2¼	1⅜	3⅞	⅝	1⅞	6⅞
	MM	122	6	130	229	70	30	92	8	33	157

NOTE: All dimensions are approximate.  
Duplex and Caisson types available. Contact factory for further information.



MODEL	SIZE
EA23	3½"
EA24	4½"
EA28	8½"

**PRESSURE RANGES**

RANGE IDENT	RANGE SPAN PSIG	MINOR GRDTN PSIG		
		3½"	4½"	8½"
PC	0/15	½	¼	¼
PD	0/30	½	¼	¼
PE	0/60	1	1	½
PF	0/100	2	1	1
PH	0/200	5	2	1
PJ	0/300	5	5	2
PK	0/400	10	5	2
PM	0/600	10	10	5
PO	0/800	20	10	5
PP	0/1000	20	10	5
PR	0/1500	25	20	10
PS	0/2000	50	20	10
PT	0/3000	50	50	20
PV	0/5000	100	50	25
PX	0/8000	100	100	50
PY	0/10000	200	100	50

**VACUUM RANGES**

RANGE IDENT	RANGE SPAN in Hg	MINOR GRDTN in Hg		
		3½"	4½"	8½"
VC	0/30	½	¼	¼

**COMPOUND RANGES**

**MINOR GRDTN**

RANGE IDENT	RANGE SPAN	3½" AND 4½" VAC. in Hg		8½" VAC. PRESS. PSIG	
		3½"	4½"	8½"	8½"
CA	30/0/15	1	½	½	¼
CB	30/0/30	1	½	½	¼
CC	30/0/60	2	1	1	½
CD	30/0/100	2	1	1	1
CE	30/0/150	5	2	2	1
CF	30/0/200	5	2	2	2
CG	30/0/300	10	5	5	2
CH	30/0/400	10	5	5	2
CI	30/0/600	10	10	10	5
CJ	30/0/800	10	10	10	5
CK	30/0/1000	30	10	15	10

**HOW TO ORDER**

E A 2 4 3 P M P E W B O

BASIC 4-DIGIT MODEL NO. FROM TABLE ABOVE \_\_\_\_\_

CASE STYLE 3 (ONLY STYLE AVAILABLE) \_\_\_\_\_

RANGE CODE FROM RANGE TABLES ABOVE \_\_\_\_\_

CONNECTION: P = "O" RING; F = FLARELESS; 4 = 1/4 NPT; OR W = WELDING NIPPLE \_\_\_\_\_

CONNECTION LOCATION: L = LOWER (BOTTOM); R = REAR (BACK); OR E = 5 O'CLOCK \_\_\_\_\_

DIAL COLOR: W = WHITE (STANDARD), B = BLACK (OPTIONAL) \_\_\_\_\_

CLEANING: B = CLEANED FOR GENERAL APPLICATIONS PER AMENDMENT 1 \_\_\_\_\_

FLUSH MOUNTING RING KIT: O = REQUIRED; X = NOT REQUIRED \_\_\_\_\_